

# MTC, Inc.

## PRODUCT SPECIFICATION FOR INFORMATION

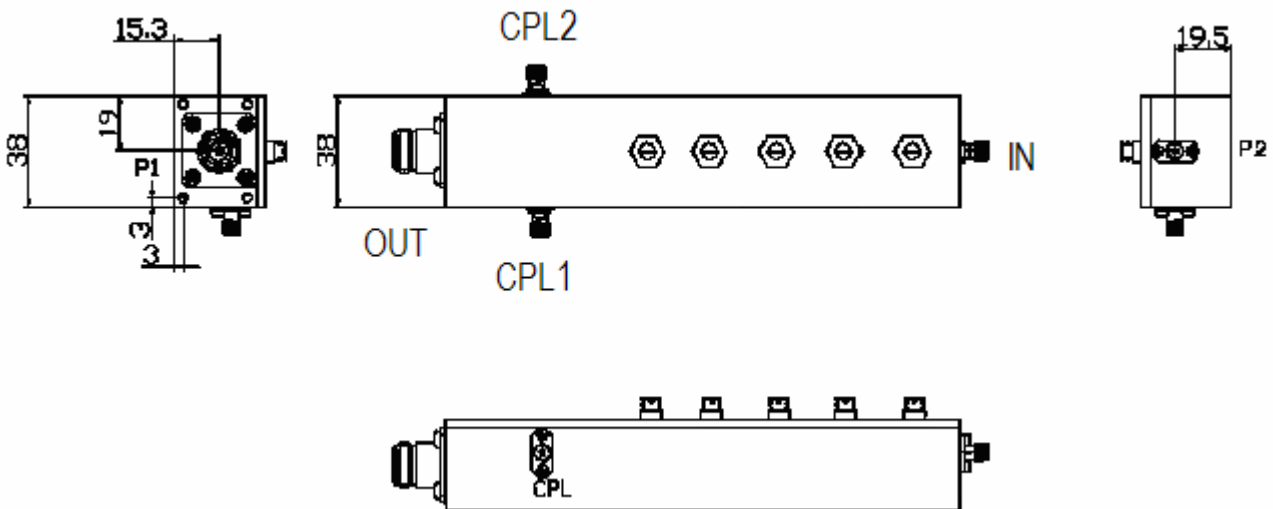
CUSTOMER :

PART NO : MCM2345F27MDL2

Item	Specification
Center Frequency (F0)	2345 MHz
Band Width	27 MHz
Main line Insertion Loss	1.5 dB (max)
VSWR	1.4:1(min)
Coupling factor	40dB±1(max)
Coupling Flatness	±0.5dB(max)
Average Power	100W
Attenuation	30dB(min) @ F0±40MHz
Impedance	50 Ohms
Connector	OUT – N(F) IN– SMA(F) CPL – SMA(F)

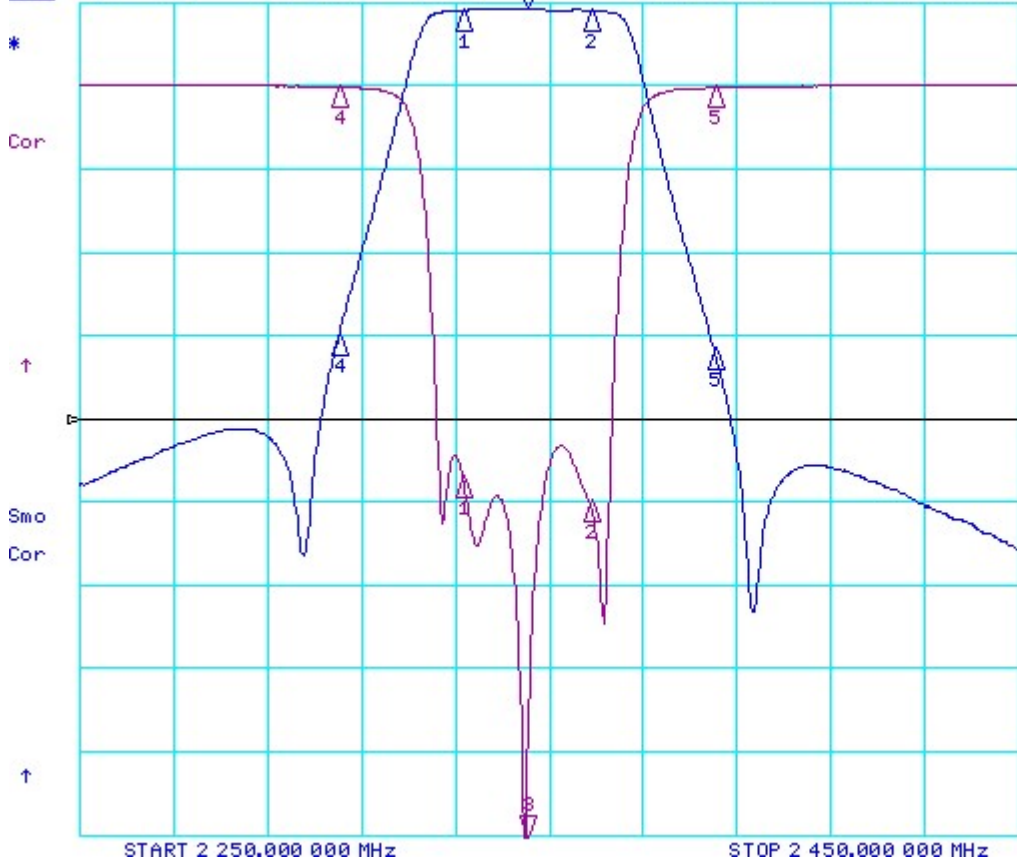
NOTE : EQUIPMENT used HP 8753E

DIMENSION



24 Jan 2005 13:22:36

CH1 S11 LOG 5 dB/REF -20 dB 3:-47.512 dB  
CH2 S21 LOG 10 dB/REF -50 dB 3:-.82220 dB 2 345.000 000 MHz



CH1 Markers

1:-23.524 dB  
2.33150 GHz  
2:-25.018 dB  
2.35850 GHz  
4:-.05340 dB  
2.30500 GHz  
5:-.10860 dB  
2.38500 GHz

CH2 Markers

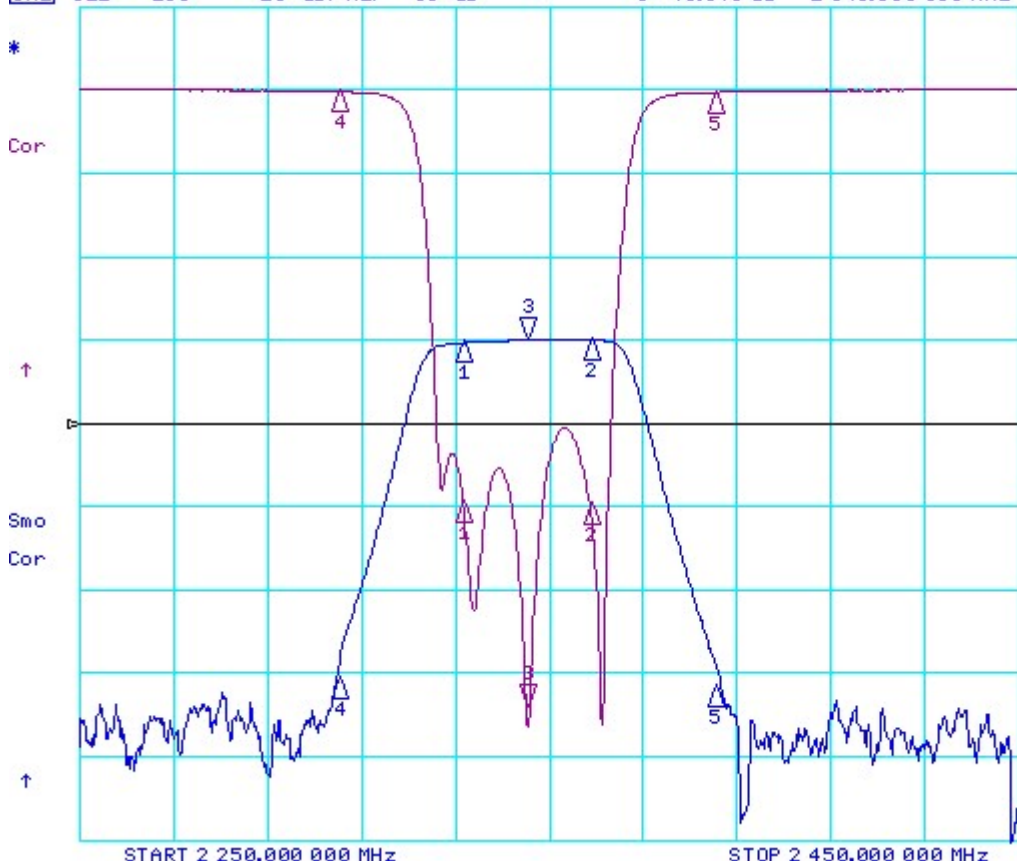
1:-.90460 dB  
2.33150 GHz  
2:-.90840 dB  
2.35850 GHz  
4:-40.003 dB  
2.30500 GHz  
5:-41.531 dB  
2.38500 GHz

START 2 250.000 000 MHz

STOP 2 450.000 000 MHz

24 Jan 2005 13:23:25

CH1 S11 LOG 5 dB/REF -20 dB 3:-36.973 dB  
CH2 S21 LOG 10 dB/REF -50 dB 3:-40.040 dB 2 345.000 000 MHz



CH1 Markers

1:-24.681 dB  
2.33150 GHz  
2:-24.785 dB  
2.35850 GHz  
4:-.09070 dB  
2.30500 GHz  
5:-.13870 dB  
2.38500 GHz

CH2 Markers

1:-40.344 dB  
2.33150 GHz  
2:-40.006 dB  
2.35850 GHz  
4:-80.556 dB  
2.30500 GHz  
5:-81.510 dB  
2.38500 GHz

START 2 250.000 000 MHz

STOP 2 450.000 000 MHz